

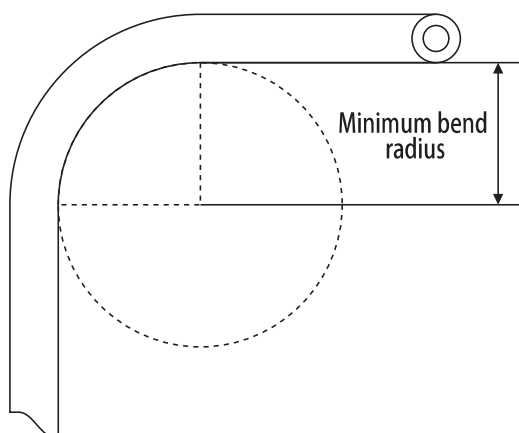
# EXLON-THV Flexible Fluoro Resin Tubing data

## Burst pressure

Size Outer diameter × Inner diameter (mm)	Burst pressure (MPa)	Normal pressure (MPa)
4 × 2	4.4	1.0
6 × 4	2.9	0.6
8 × 6	2.1	0.4
10 × 8	1.6	0.35
12 × 10	1.3	0.3

- The burst pressure above is the data obtained when the ambient temperature is 20°C.  
Please note that the burst pressure changes with temperature.  
The setup is based on Normal pressure  $\doteq$  (Burst pressure) / 4.
- The data above are representative values and not guaranteed values.

## Minimum bend radius



Outer diameter × Inner diameter (mm)	Minimum bend radius (mm)
4 × 2	3
6 × 4	10
8 × 6	20
10 × 8	35
12 × 10	45

- The data above are representative values and not guaranteed values.



## Chemical resistance data

Test condition 23°C, 1000 hours

Coefficient of cubic expansion (%)ASTM D792

Chemical	Ratio of changes in cubic expansion (%)
Acetone*	Dissolved
Hexane	2.0
MEK*	Dissolved
Acetic acid	24.6
Aniline	1.7
Benzene	5.6
Ethanol	2.0
Chlorobenzene	2.6
Dichloromethane	9.9
Ethyl ether	17.2
Formaldehyde	2.1
Nitrobenzene	6.1
n-Propylamine*	Dissolved
N-Methyl-2-pyrrolidine*	Dissolved

\* Reaction with THV occurs, and THV dissolves.

● These data are based on experiments that we trust, but we cannot guarantee the accuracy and perfectness of these experiments.